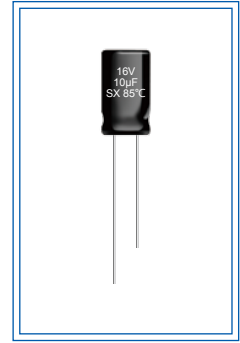


SX 标准品 (CD11C)

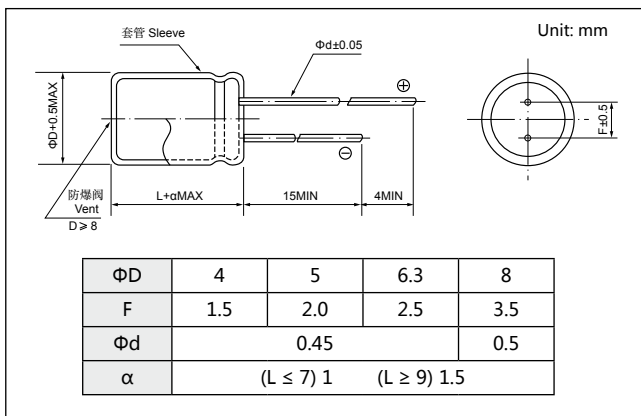
- 7 (9) mm 高, 通用标准品, 85°C 1000 小时。
7 (9) mm height, for general purpose, standard size, 85°C 1000 hrs.
- 适用于汽车音响、TV、空调遥控器等电子线路中。
Used in car audio, TV, air conditioners circuits remote device, etc.
- RoHS 指令已对应完毕。Adapted to the RoHS directive.



主要技术性能 Specifications

项目 Item	特性 Performance Characteristics																								
工作温度范围 Operating Temperature Range	-40~+85°C																								
额定电压范围 Rated Voltage Range	6.3~63V																								
标称容量范围 Nominal Capacitance Range	0.1~470µF																								
标称容量允许偏差 Capacitance Tolerance	±20%(+20°C, 120Hz)																								
漏电流 Leakage Current	$I \leq 0.01CV$ or $3 (\mu A)$ 2 分钟 (at 20°C, after 2 minutes) 取较大者 (whichever is greater)																								
损耗角正切值 (tgδ) Dissipation Factor (+20°C, 120Hz)	<table border="1"> <tr> <td>$U_R(V)$</td> <td>6.3</td> <td>10</td> <td>16</td> <td>25</td> <td>35</td> <td>50</td> <td>63</td> </tr> <tr> <td>tgδ</td> <td>0.24</td> <td>0.20</td> <td>0.16</td> <td>0.14</td> <td>0.12</td> <td>0.10</td> <td>0.10</td> </tr> </table>	$U_R(V)$	6.3	10	16	25	35	50	63	tgδ	0.24	0.20	0.16	0.14	0.12	0.10	0.10								
$U_R(V)$	6.3	10	16	25	35	50	63																		
tgδ	0.24	0.20	0.16	0.14	0.12	0.10	0.10																		
温度特性 Temperature Characteristics (Impedance ratio at 120Hz)	<table border="1"> <tr> <td>$U_R(V)$</td> <td>6.3</td> <td>10</td> <td>16</td> <td>25</td> <td>35</td> <td>50</td> <td>63</td> </tr> <tr> <td>Z-25°C / +20°C</td> <td>4</td> <td>3</td> <td>2</td> <td>2</td> <td>2</td> <td>2</td> <td>2</td> </tr> <tr> <td>Z-40°C / +20°C</td> <td>8</td> <td>6</td> <td>4</td> <td>4</td> <td>3</td> <td>3</td> <td>3</td> </tr> </table>	$U_R(V)$	6.3	10	16	25	35	50	63	Z-25°C / +20°C	4	3	2	2	2	2	2	Z-40°C / +20°C	8	6	4	4	3	3	3
$U_R(V)$	6.3	10	16	25	35	50	63																		
Z-25°C / +20°C	4	3	2	2	2	2	2																		
Z-40°C / +20°C	8	6	4	4	3	3	3																		
耐久性 Load Life	+85°C加额定电压 1000 小时, 恢复 16 小时后: After applying rated voltage for 1000 hours at +85°C and then resumed 16 hours: 电容量变化率 Capacitance change: ±25% 初始测量值以内 ±25% of the initial measured value 漏电流 Leakage current: ≤ 初始规定值 ≤ The initial specified value 损耗角正切值 Dissipation factor: ≤ 2 倍初始规定值 ≤ 200% of the initial specified value																								
高温贮存 Shelf Life	+85°C, 1000 小时贮存后, 恢复 16 小时后: After storage for 1000 hours at +85°C and then resumed 16 hours: 电容量变化率 Capacitance change: ±25% 初始测量值以内 ±25% of the initial measured value 漏电流 Leakage current: ≤ 2 倍初始规定值 ≤ 200% of the initial specified value 损耗角正切值 Dissipation factor: ≤ 2 倍初始规定值 ≤ 200% of the initial specified value																								

外形图及尺寸 Diagram of Dimensions



纹波电流修正系数 Multiplier for Ripple Current

频率系数 Frequency coefficient

Frequency(Hz)	60	120	1k	≥ 10k
Cap(µF)				
0.1~68	0.8	1.0	1.3	1.5
100-470	0.8	1.0	1.15	1.2

额定值标准 Standard Size

Cap.(μF)	V(Code) Code	6.3V (0J)		10V (1A)		16V (1C)		25V (1E)		35V (1V)		50V (1H)		63V (1J)	
0.1	0R1											4×7	0.8		
0.22	R22											4×7	2.0		
0.33	R33											4×7	3.0		
0.47	R47											4×7	4.0		
1	010					4×7	7					4×7	8.5	4×7	11
2.2	2R2									4×7	13	4×7	14	4×7	16
3.3	3R3							4×7	13	4×7	16	4×7	17	5×7	20
4.7	4R7					4×7	16	4×7	16	4×7	19	4×7	22	5×7	26
10	100			4×7	21	4×7	24	4×7	19	5×7	29	5×7	34	6.3×7	40
										4×7	22		22		
22	220	4×7	29	4×7	33	4×7	37	5×7	29	6.3×7	45	6.3×7	53		
33	330	4×7	37	4×7	41	5×7	48	5×7	45	6.3×7	59	8×7(9)	80		
						4×7	35					6.3×7	53		
47	470	4×7	44	4(5)×7	51	5×7	57	5×7	45	8×7(9)	90	8×9	98		
							6.3×7	59	6.3×7	60					
100	101	5×7	68	5×7	75	6.3×7	89	6.3×7	75	8×7	90				
							8×7(9)	95							
220	221	6.3×7	101	6.3×7	118	6.3×7	80	8×7	110						
						8×7(9)	120								
330	331	8×7(9)	132	8×7(9)	135	8×7	120								
470	471	8×7(9)	144	8×7(9)	150										

额定纹波电流 Rated ripple current(mA, +85°C, 120Hz)

可根据客户需要定制产品 Customer products are available on request.