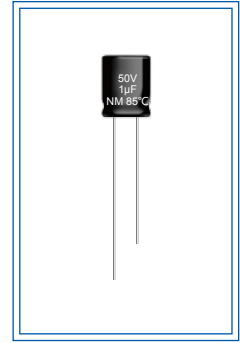


NM 无极性品 (CD50N)

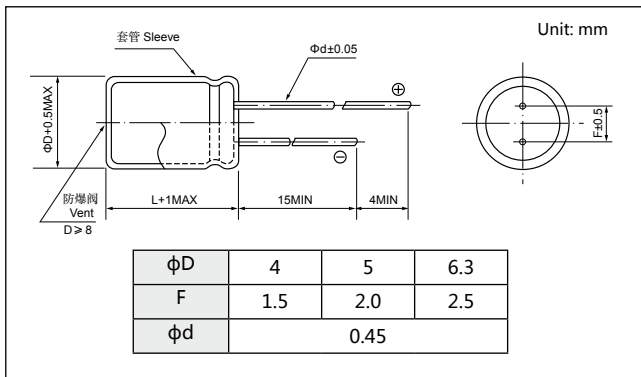
- 5mm 高, 无极性产品, 85°C 1000 小时。Be 5mm in height, Bi-polarized, 85°C 1000 hrs.
- 适用于信号耦合等极性需反转变换电路。
Used in circuits what polarity is reversed, such as signal coupling, etc.



主要技术性能 Specifications

项目 Item	特性 Performance Characteristics						
工作温度范围 Operating Temperature Range	-40~+85°C						
额定电压范围 Rated Voltage Range	6.3~50V						
标称容量范围 Nominal Capacitance Range	0.1~47μF						
标称容量允许偏差 Capacitance Tolerance	±20%(+20°C, 120Hz)						
漏电流 Leakage Current	I ≤ 0.05CV or 10μA 2分钟 (at 20°C, after 2 minutes) 取较大者 (whichever is greater)						
损耗角正切值 (tgδ) Dissipation Factor (+20°C, 120Hz)	U _R (V)	6.3	10	16	25	35	50
	tgδ	0.28	0.24	0.20	0.18	0.15	0.15
温度特性 Temperature Characteristics (Impedance ratio at 120Hz)	U _R (V)	6.3	10	16	25	35	50
	Z-25°C / +20°C	4	3	2	2	2	2
	Z-40°C / +20°C	8	6	4	4	3	3
耐久性 Load Life	+85°C加额定电压 1000 小时 (每 250 小时反转极性一次), 恢复 16 小时后: After applying rated voltage for 1000hours at +85°C (with the polarity inverted every 250 hours) and then resumed 16 hours: 电容量变化率 Capacitance change : ±25% 初始测量值以内 ±25% of the initial measured value 漏 电 流 Leakage current : ≤初始规定值 ≤ The initial specified value 损耗角正切值 Dissipation factor : ≤ 2 倍初始规定值 ≤ 200% of the initial specified value						
高温贮存 Shelf Life	+85°C, 1000 小时贮存后, 恢复 16 小时后: After storage for 1000 hours at +85°C and then resumed 16 hours: 电容量变化率 Capacitance change : ±25% 初始测量值以内 ±25% of the initial measured value 漏 电 流 Leakage current : ≤ 2 倍初始规定值 ≤ 200% of the initial specified value 损耗角正切值 Dissipation factor : ≤ 2 倍初始规定值 ≤ 200% of the initial specified value						

外形图及尺寸 Diagram of Dimensions



纹波电流修正系数 Multiplier for Ripple Current

频率系数 Frequency coefficient

Frequency(Hz)	60	120	1k	≥ 10k
Cap(μF)	0.8	1.0	1.45	1.7
0.1~47	0.8	1.0	1.45	1.7

额定值标准 Standard Size

Cap.(μ F)	V(Code) Code	6.3V (0J)		10V (1A)		16V (1C)		25V (1E)		35V (1V)		50V (1H)	
0.1	0R1											4×5	1.0
0.22	R22											4×5	2.0
0.33	R33											4×5	2.8
0.47	R47											4×5	4.0
1	010											4×5	8.4
2.2	2R2											4×5	13
3.3	3R3							5×5	12			5×5	17
4.7	4R7					4×5	12	5×5	16	4×5	18	5×5	20
10	100			4×5	17	5×5	23	6×5	27	5×5	29	6×5	33
22	220	5×5	28	6×5	33	6×5	37			6×5	46		
33	330	5×5	37	6×5	41	6×5	49						
47	470	6×5	45										

额定纹波电流 Rated ripple current(mA,+85°C,120Hz)

可根据客户需要定制产品 Customer products are available on request.